

**CODE NUMBER**

DV-120 (3309065) DV-125 (3309069)

**DESCRIPTION**

Polished Chrome Finish, Fixture Connection Top Spud, Single Flush, Exposed Manual Specialty Water Closet Bedpan Washer Flushometer.

**DETAILS**

- Finish: Polished Chrome (CP)
- Valve Body Material: Semi-red Brass
- Fixture Type: Water Closet
- Fixture Connection: Top Spud

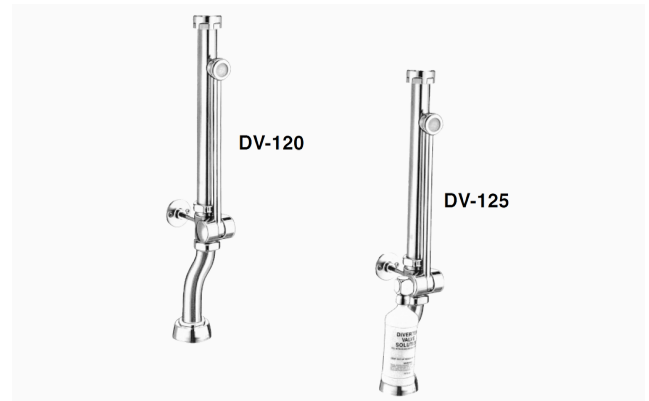
**FEATURES**

**DV-120 with Grab Bar Offset | DV-125 with Grab Bar Offset and Deoseptic Unit**

Slimline® Bedpan Washer Diverter Assembly for use in retrofit installations where Flushometers currently are installed and where grab bars are present. Installation meets ADA height requirements.

- Solid One-piece Body Construction
- Counter Balanced Pivot Assembly
- Solid Brass Spray Arm
- High Back Pressure Vacuum Breaker with One-piece Bottom Hex
- Coupling Nut
- 1 1/2" Offset Flush Tube
- Wall Support, Spud Coupling and Flange for 1 1/2" Top Spud
- Vacuum Breaker to be molded from PERMEX™ rubber compound for Chloramine resistance
- Installation height complies with ADA requirements

**Diverter Assembly ONLY. Does NOT include Flushometer**



**DOWNLOADS**

- [Slimline Royal/Regal XL Exposed Installation Instructions](#)
- [Slimline Bedpan Washer Repair and Maintenance Guide](#)
- [Additional Downloads](#)

**NOTES**

All information contained within this document subject to change without notice.

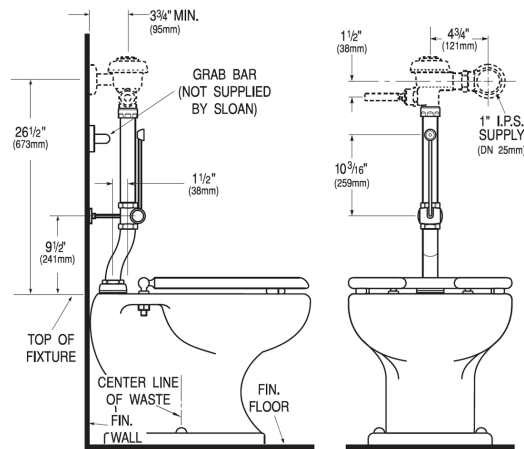
Looking for other variations of the DV-120-125 product? [View the general spec sheet with all options.](#)

[Find a compatible urinal](#) for this flushometer.

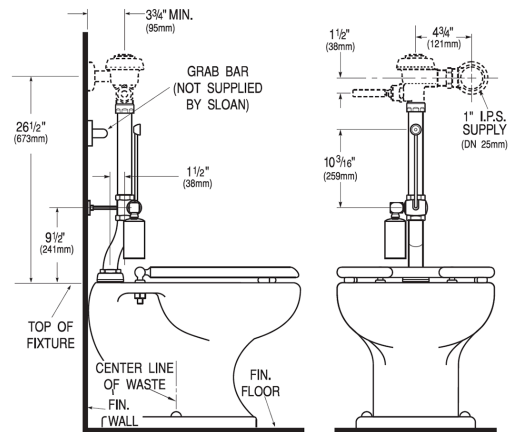
[Find a compatible water closet](#) for this flushometer.

**ROUGH-IN**

**DV-120**



**DV-125**



**Sloan 10500 Seymour Ave, Franklin Park, IL 60131**  
 Phone: 800.982.5839 • Fax: 800.447.8329 • [sloan.com](http://sloan.com)